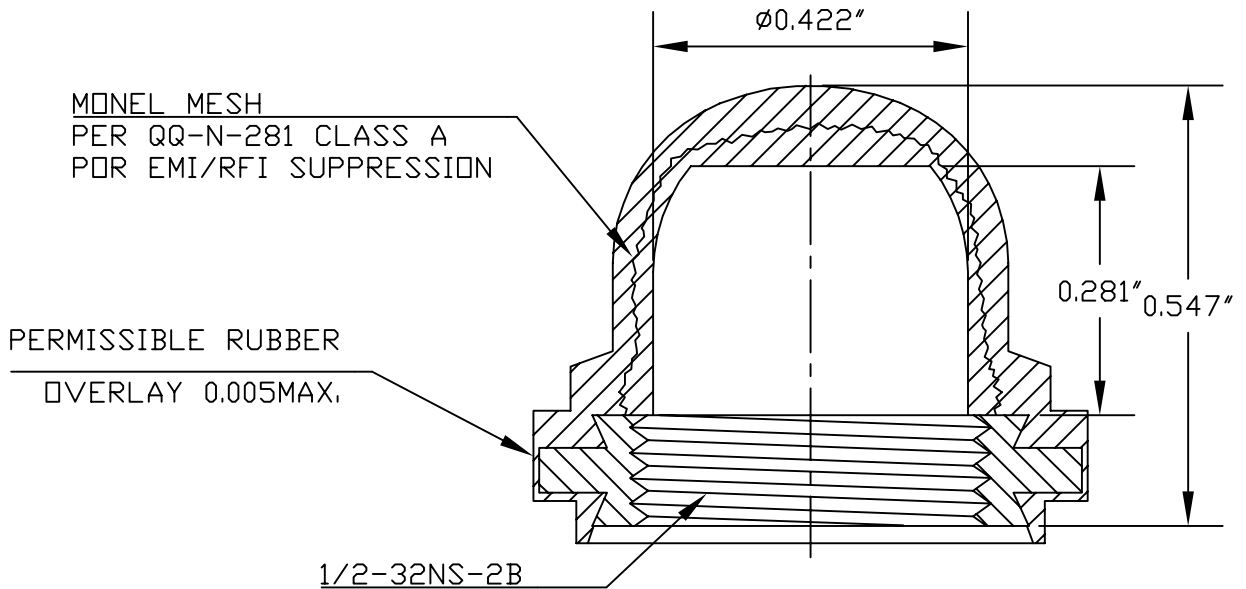
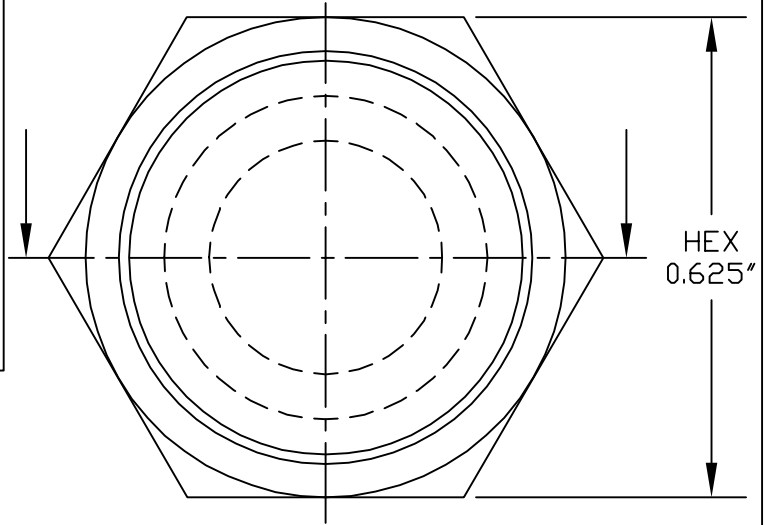


**SPECIFICATIONS**

**Material:** HEXSEALS: Silicone rubber conforms to A-A-59588 Class III, GR 60 unless otherwise specified.  
**Mounting Nut:** HEXSEALS: Brass, nickel-plated (unless otherwise noted)  
**Temperature Range:** HEXSEALS: -94°F to +400°F  
**Pressure Range:** Exceeds 15 psi internal and 1500 psi external.  
**Operational Life:** 50,000 actuations (minimum).  
**Shelf Life:** Excess of 25 years.  
**Resistant to:** Salt spray, sunlight, ozone, weather, fungus, and most acids and lubricating oils  
**Agency Recognition:** E-SEALS and HEXSEALS are UL-listed to UL Std. 50 types 1-13, and meet CSA standards.  
**Installation:** If a reducing adaptor is required - see page 14 of HEXSEAL catalog HEX200 for part numbers and drawing.



REV.	DESCRIPTION	DATE
C	MAT'L CHANGED	07.29.09
B	CAD COMPUTER GENERATED	09.23.02
A	UPDATED and REDRAWN	09.12.76
ENG.	S.GOK	07.29.09
DWN.	R. C.	07.22.74
CHKD.	J. CELLA	07.29.09
TITLE:	BOOT, PUSH BUTTON SWITCH (NH3030RFI)	SCALE 4:1
MAT'L: SILICONE RUBBER A-A-59588 Class III, Gr.60	APM-HEXSEAL CORPORATION	DWG. NO. NH3030RFI HEXSEAL®
FINISH: GRAY		

THIS DRAWING COVERS PROPRIETARY ITEM AND IS THE PROPERTY OF THE APM-HEXSEAL CORPORATION. THIS DRAWING IS NOT TO BE COPIED OR USED WITHOUT THE WRITTEN APPROVAL OF AN OFFICER OF THE APM-HEXSEAL CORPORATION.